

Greenhouse Linear Toplight



DATA SHEET

Product information

The LED Linear Toplight lamps of the Tungstram Agritech Series offer high levels of light output and great efficacy reaching up to 3.67 $\mu\text{mol}/\text{J}$, combined with excellent light uniformity to support horticultural producers reaching their desired results. Our standard Toplight modules contain specific mix of wavelengths providing the optimized spectrum for several vine crops - such as tomatoes and cucumbers - to grow efficiently all year round. The energy efficiency, the low maintenance cost, the linear shape, the passive cooling system, and the ease of mounting make Tungstram Linear Toplight the ideal choice for a LED based solution or a hybrid LED/HPS lighting system for existing or newly constructed Greenhouses.

Product Specifications

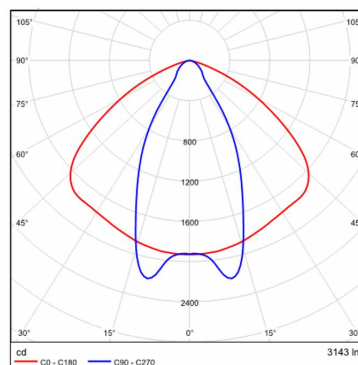
Product ID	Module	Growth Spectrum*	Nominal Power (W)	PPF ($\mu\text{mol}/\text{s}$)	Efficacy ($\mu\text{mol}/\text{J}$)	Optic	Control	Mounting
TUAS -GLIN	1	HRMB	32	104	3.20	C1-120° L5 -50°	F-Fix D-DALI	H-Hook B-Bracket
			175	516	2.94			
		311	904	2.90				
		28	104	3.67				
		HRLB	150	513	3.41			
			296	986	3.33			

* HR = High Red, MB = Medium Blue, LB = Low Blue

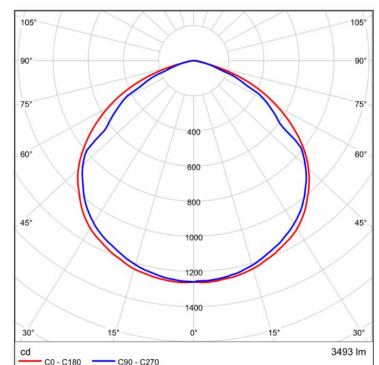
Key Technical Features

- Highest PPF – up to 986 $\mu\text{mol}/\text{s}$
- High efficiency LED design, up to 3,67 $\mu\text{mol}/\text{J}$
- 50% energy saving
- Ingress protection: IP66
- IK08
- Operating Environment: 0°C to +40°C
- Life-time >50 000h (Ta= 25 °C)
- Low heat radiation compared to High Intensity Discharge lamps
- Passive cooling
- Simple hanging system for easy installation
- Impact resistant design made of glass and aluminum
- Painted white finish
- Regulatory approvals – CE, RoHS

Photometric data

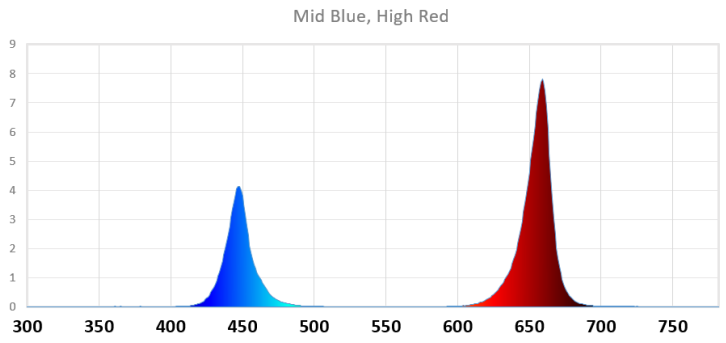
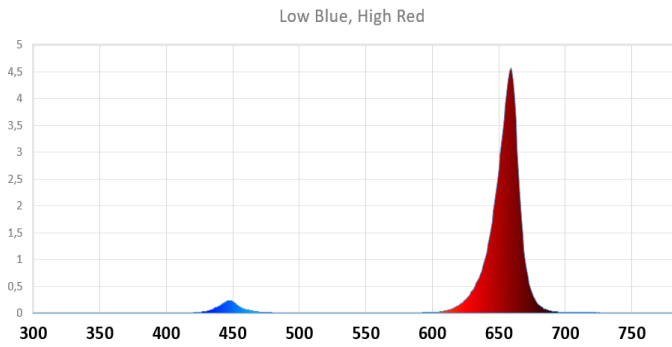


(with 50°optic)



(with 120°optic)

Spectral distribution

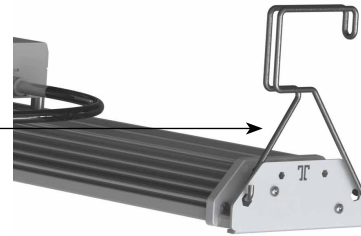


Mounting

Various hook or bracket system options available for the installation and connection of this product. On request individual mounting solutions may also be developed. The mounting accessories need to be ordered separately.

Mounting hook (optional)

Available on all fuxture configurations. Attaches to the structural element of the greenhouse.



Y-Cable w/hook (optional)

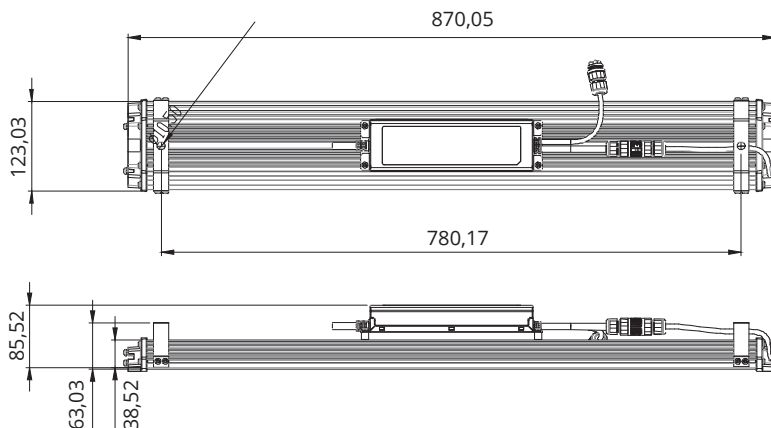
Available in 1.5m, 3m, 4.5m, 6m lengths



Note: Warranty only applies if products are installed with a mounting solution offered by us.

Dimensions (mm)

Weight: 5kg



We in Tungram Operations Kft. are constantly developing and improving our products. For this reason, all product descriptions in this catalogue are intended as a general guide, and we may change specifications from time to time in the interest of product development, without prior notification or public announcement. All descriptions in this publication present only general particulars of the goods to which they refer and shall not form part of any contract. Data in this guide has been obtained in controlled experimental conditions. However, Tungram cannot accept any liability arising from the reliance on such data to the extent permitted by law.
LED Greenhouse Toplight Datasheet – June 2019